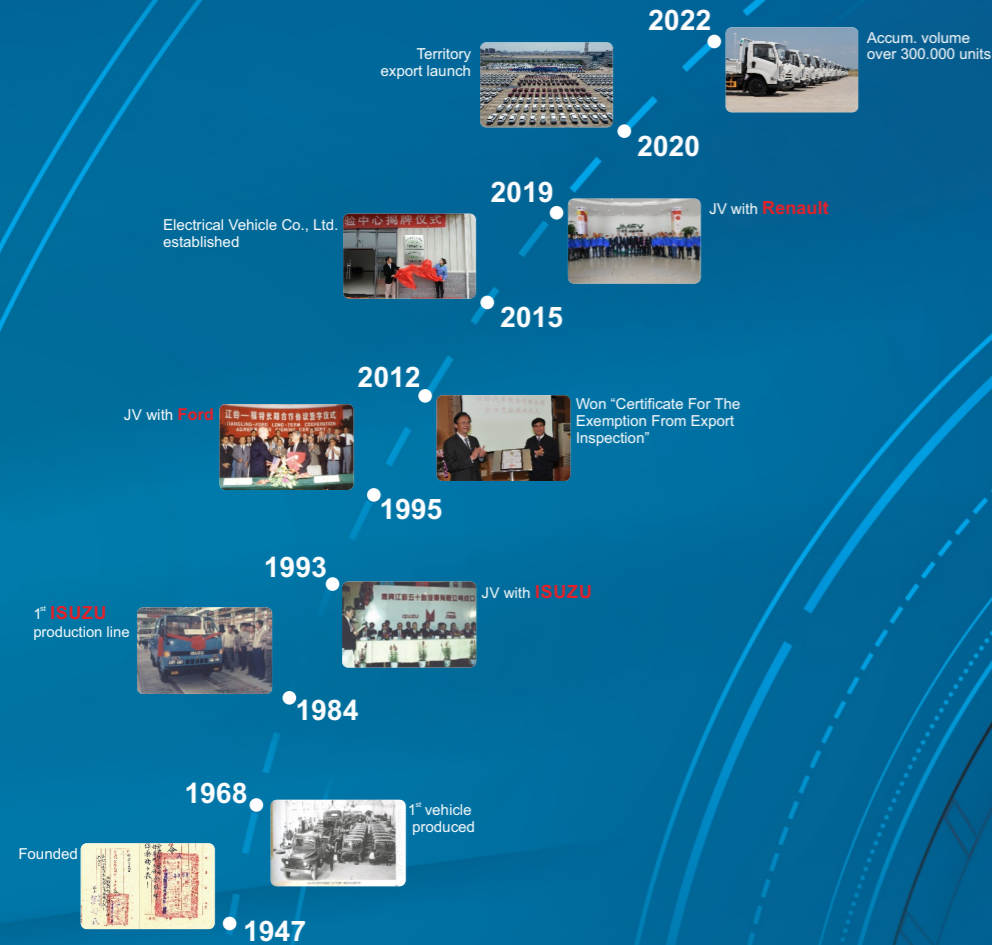


# JMCG Facts

The only commercial vehicle company establishing joint-ventures with 3 of Fortune Global 500 enterprises in China ( Ford, Isuzu, Renault )  
Over 5 decades of experience in manufacturing vehicles



**Jiangxi Jiangling Motors Import & Export Co., Ltd.**  
Add: 969, Jinrong Street, Honggutan District, Nanchang, Jiangxi, China  
Tel: +86-791-86738769 Fax: +86-791-86738577  
Website: www.jmcg-global.com



**No.1** Light bus share  
**No.1** Ambulance share  
**Top 2** Pickup share  
**Top 5** Light truck share

# ALL NEW Conquer

Jiangling Motors Co., Ltd. | JV with Ford



**JMC**  
f JMCGMotors

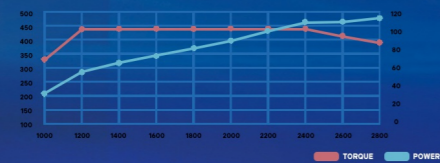


# POWERTRAIN



## JX4D30 2.9L 4-cylinder

Max. power 120kW Max. torque 450N·m  
 Torque 350Nm at 1000 rpm  
 Garrett's 4th generation turbocharger  
 HT300 cylinder material with a life expectancy of 700,000 km



# RIGOROUS TESTING

Leading-edge manufacturing processes to ensure the manufacturing quality of our products JMC-Ford development process.

The agile and robust development process and strict verification standards have established the excellent quality standard of JMC light trucks

**28 ITEMS** Full range of road conditions, including twists, potholes, rocky roads, splash pads and more. Specialised test conditions.



**5000+**  
items Component level verification tests



**400+**  
items Complete vehicle level verification tests



**100+**  
items Complete vehicle road verification, 2 times the industry level.



**3000**  
System level test cases



**3 Million**  
kilometres of proven mileage which could circle the earth 70 times



**13%**  
Mountain test mileage exceeds industry standards



**27%**  
bad road test mileage



**1 million**  
kilometers complete vehicle durability verification test 10-15% rougher road condition than competitors



**9600+**  
times gear shafting verification test



# INTERIOR

## ERGONOMIC DESIGN

- New driver-centric interior hugging dashboard design  
Flat cabin design with improved the inner space
- 17 storage areas for infinite space extension & USB and 12V power interface
- Reversible handbrake providing a flexible inner space
- Standard with power windows
- Ergonomic seats with 5-level adjustment armrest
- Multifunctional steering wheel



USB for vehicle recorder



Center USB





# LOAD-BEARING

- **STRAIGHT THROUGH BEAM DESIGN:**

Frame section height—214mm

- **FRONT AXLE:**

Made of high-strength alloy steel

For higher strength and load-bearing capacity

- **QSTE650TM FRAME:**

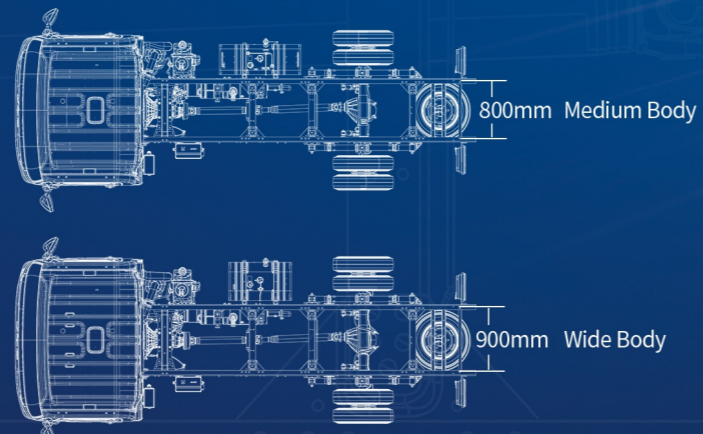
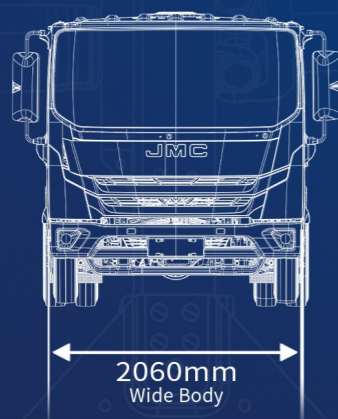
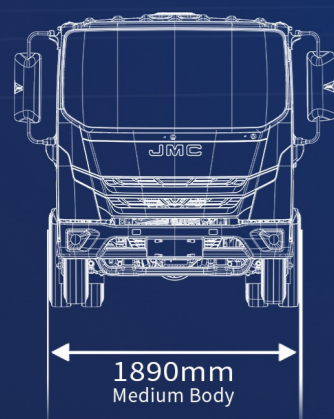
The strongest ultra-high strength steel in the industry

- **MODIFICATION FLEXIBILITY:**

Standard hole design




More convenient to install special vehicle modification accessories

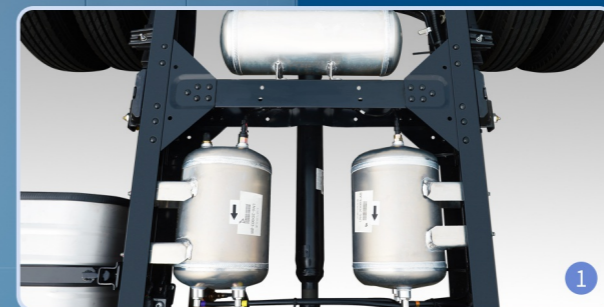
## UPGRADE CABIN WIDTH





# ENERGY CONSERVATION

-  0.45 air resistance coefficient
-  0.0065 rolling resistance tires
-  1800 bar high pressure fuel system



- 1 Standard air brake
- 2 Wide wheelbase, wide leaf spring distance, Widest 900 mm frame in its class (wide body model)
- 3 4.38° A-pillar obstacle angle for less blind spot, more open view, safer driving



Model	All New Conquer								
Cabin type	SC/KC/DC			SC		SC	SC/KC	SC	SC
Emissions	Euro 4	Euro 5	Euro 6	Euro 2	Euro 4	Euro 2	Euro 4	Euro 5	Euro 6
Dimension									
Wheelbase(mm)	3360						3815		
Cabin width(mm)	1890						2060		
Overall Dimension	SC/KC: 5990*2080*2435/2455			5990*2180*2455/2475			SC: 6990*2380*2455/2475/2495		
Cargo body L*W*H(mm)	DC: 5990*2080*2455/2475						KC: 6990*2380*2475/2495		
Cargo size L*H(mm)	SC: 4200*440 KC: 3800*440 DC: 3200*440						SC: 5200*550 KC: 4800*550		
Powertrain									
Engine				JX4D30					
Displacement(cc)				2892					
Max.Output(kw)/Rpm				120/2800					
Max.Torque(Nm)/Rpm				450/1200-2400					
Gearbox Type				6MT					
Fuel Tank Capacity (L)	105						125		
Rear axle speed ratio				4.222					
Brake&Tire									
Brake type				Air					
Tire size	7.0R16 10PR		7.5R16 16PR 215/75 R17.5		Standard: 7.5R16 16PR Optional: 8.25R16 16PR		Standard: 7.5R16 16PR Optional: 8.25R16 16PR		
Weight									
Kerb weight(kg)	2880/2890/2995	2915/2925/3030	2920/2930/3035	2885	2895	3175	3185/3250	3220	3225
GVW(kg)				7495					
Safety									
ABS	•	•	•	•	•	•	•	•	•
Exhaust Brake	•	•	•	•	•	•	•	•	•
Power Steering	•	•	•	•	•	•	•	•	•
Sound alert for handbrake not released	•	•	•	•	•	•	•	•	•
Reminder of unfastened seat belt for driver	•	•	•	•	•	•	•	•	•
LED daytime running light	/	/	•	/	/	/	/	/	•
Comfort									
Infotainment System (Bluetooth music / Bluetooth phone / USB music)	•	•	•	•	•	•	•	•	•
Multifunction steering wheel	•	•	•	•	•	•	•	•	•
Air conditioner	•	•	•	•	•	•	•	•	•
Central locking(manual)	•	•	•	•	•	•	•	•	•
Remote key	•	•	•	•	•	•	•	•	•
Power windows	•	•	•	•	•	•	•	•	•
One-touch window lift--driver	•	•	•	•	•	•	•	•	•
Remote key control glass one-touch lift	•	•	•	•	•	•	•	•	•
Driver armrest	•	•	•	•	•	•	•	•	•
Headlight delay off	•	•	•	•	•	•	•	•	•
Driver overhead storage box	•	•	•	•	•	•	•	•	•
USB charging port	•	•	•	•	•	•	•	•	•
Overhead storage box mounted USB port	•	•	•	•	•	•	•	•	•
12V Socket/ Power Port DC 12V Outlet	•	•	•	•	•	•	•	•	•
Speed-sensitive automatic door locking	•	•	•	•	•	•	•	•	•

● : Standard ○ : Optional / : Not Available

All information is subject to change.

# JMC World-class supplier



**Light Truck:** Electronic control unit, sensors, oil pump, fuel injector  
**Pick Up/SUV:** Fuel injector, ESP assembly



**SUV (Diesel model):** Intake camshaft



**SUV/Pick Up:** Transfer box assembly, transfer box ECU



**SUV:** Rear oxygen sensor



**Light Van:** ACU (Airbag control unit)



**SUV:** Tyre



**Light Van (Gasoline model):** Clutch, fuel pump plunger  
**SUV (Diesel model):** Generator OAP belt pulley



**SUV/Pick Up:** Electronic gear shifter, automatic transmission, EPS assembly



**Pick Up/ Light Van:** Transmission



**Light Truck:** Exhaust pipe



**SUV:** Tyre



**Light Van:** Seats



**Light Van:** Clutch



**Light Van (Gasoline model):** Battery



**Light Truck/SUV/Pick Up:** Turbocharger



**Light Truck:** Pistons and piston rings



**Light Truck:** Combined instrument, A/C control panels, HVAC, condenser  
**Light Van:** Combined instrument



**SUV/Pick Up:** Exhaust pipe system



Ford Global Quality Improvement Process



Ford Global Product Development System



- Exported to 110 countries and regions  
- UN authorized supplier